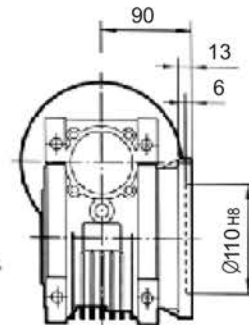
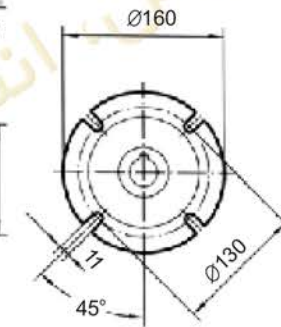
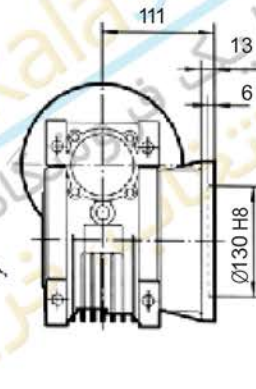
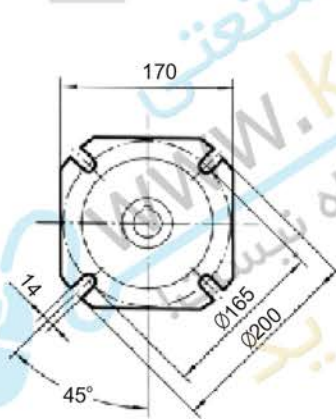
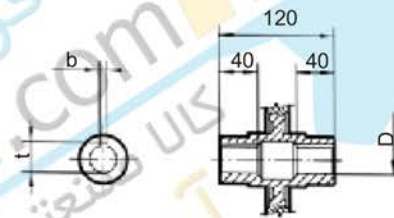
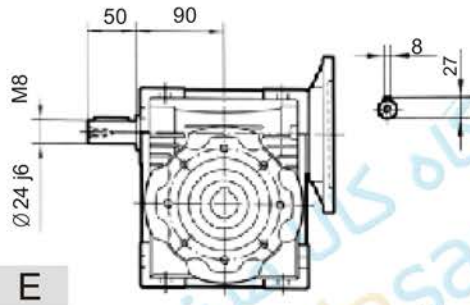
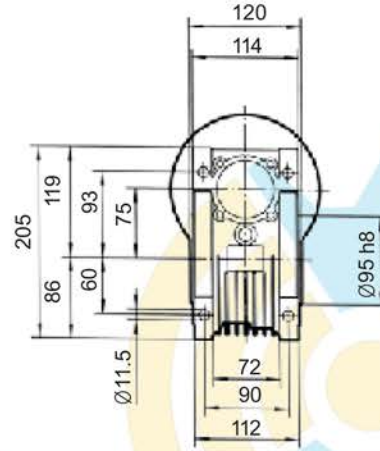
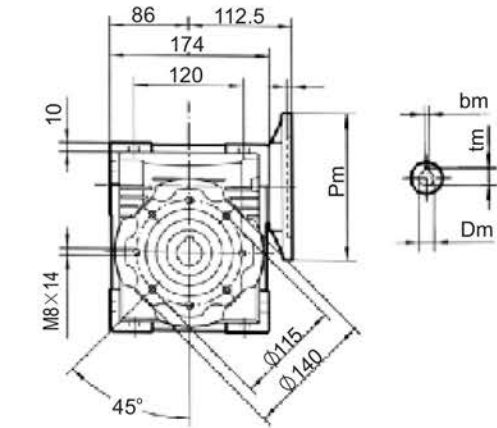


■ NMRV075

Weight without motor ≈ 9



FA

FB

PAM IEC	Pm	Dm Es	bm	tm	DH8	b	t
100/112B5	250	28	8	31.3	28	8	31.3
90B5	200	24	8	27.3	35*	10*	38.3*
80B5	200	19	6	21.8	*Only on request		
71B5	160	14	5	16.3			
100/112B14	160	28	8	31.3			
90B14	140	24	8	27.3			
80B14	120	19	6	21.8			